

SENORD-N-LED, MULTISENORD-N-LED, SENORD-N-LED-Em

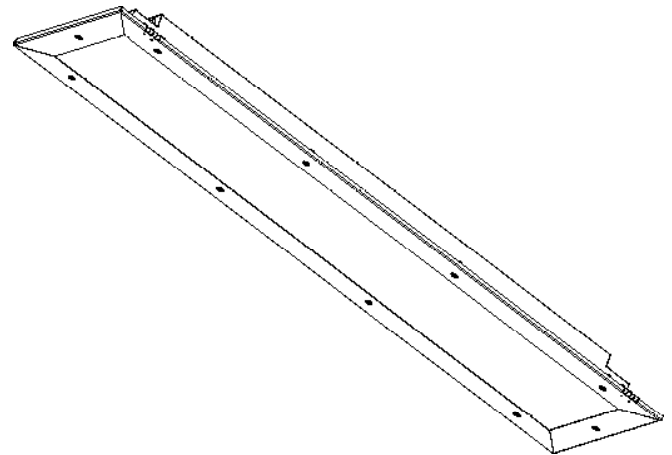
Technical conditions of the lighting fixture installation ENG

FTZÚ 17 ATEX 0026X

B II 3G Ex nR IIC T6 Gc

B II 3D Ex tc IIIC T80°C Dc

IP66, installation class I



The explosion proof light fitting meet the standards according to the EU instuctions 2014/34/EU. They can be used in areas with danger of explosion according to the following chart:

Area with danger of explosive	Marking of exterior ambient	Classification of area	
		Marking	Complusory regulation
Danger of explosion of inflammable dust	BE3N1	ZONE 22	ČSN EN 60079-14 ČSN EN 60079-10-2
Danger of explosion of inflammable gas and vapors	BE3N2	ZONE 2	ČSN EN 60079-14 ČSN EN 60079-10-1

In case of any erving on light fitting in premises with danger of explosion, the national safety rules and regulation for prevention of accidents are to be observed.

SENORD-N-LED are LED dust proof and waterproof lighting fixtures designed for lightening premises with danger of explosions.

SENORD-N-LED-Em - non maintained emergency lifting.

MULTISENORD-N-LED - mainted emergency lifting.

Technical data:

Permitted range of operating temperatures for 220-240V, 50/60Hz:

SENORD-N-LED-OPG-5000-218 / SENORD-N-LED-CG-2100-218

-20°C to +60°C

SENORD-N-LED-OPG-10000-418 / SENORD-N-LED-CG-3400/4000-418-

20°C to +55°C

SENORD-N-LED-OPG-10000/18300-236/436

-20°C to +50°C

SENORD-N-LED-CG-5100/8200/9500-236/436

20°C to +50°C

SENORD-N-LED-OPG-15000/29000-258/458

-20°C to +45°C

SENORD-N-LED-CG-8000/12500/15000-258/458

-20°C to +45°C

MULTISENORD-N-LED-OPG-5000/10000-218/418

0°C to +40°C

MULTISENORD-N-LED-CG-2100/3400/4000-218/418

0°C to +40°C

MULTISENORD-N-LED-OPG-18300-436/ MULTISENORD-N-LED-CG-8200/9500

0°C to +40°C

MULTISENORD-N-LED-OPG-10000-236/ MULTISENORD-N-LED-

0°C to +35°C

CG-5100-236 MULTISENORD-N-LED-OPG-15000/29000-258/458

0°C to +35°C

MULTISENORD-N-LED-CG-8000/12500/15000-258/458

0°C to +35°C

Nominal voltage and frequency:

for electronic ballast HELVAR:

220-240V, 0/50-60Hz

for electronic ballast TRIDONIC:

220-240V, 0/50/60Hz

for electronic ballast TCI:

220-240V, 0/50-60Hz

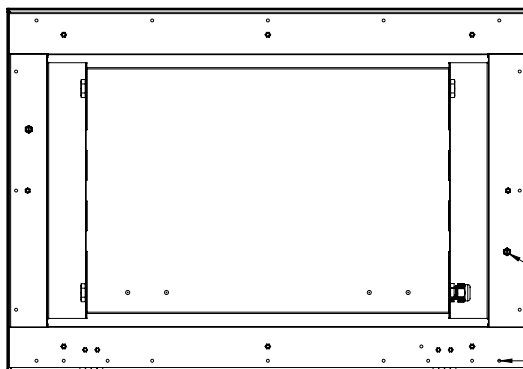
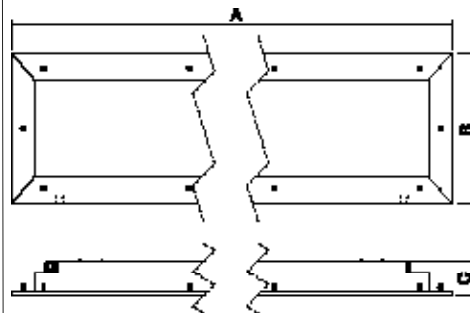
for emergency unit AWEX:

220-240V, 50/60Hz

for emergency unit TRIDONIC:

220-240V, 50/60Hz

Type of luminaire	Luminaire dimensions	Mounting hole dimensions
SENORD-N-LED-218	767x386x92	720x330±2
SENORD-N-LED-236	1367x386x92	1320x330±2
SENORD-N-LED-258	1667x386x92	1620x330±2
SENORD-N-LED-418	767x536x92	720x480±2
SENORD-N-LED-436	1367x536x92	1320x480±2
SENORD-N-LED-458	1667x536x92	1620x480±2



Ø4,3mm / Mounting hole

Type of luminaire	Number of mounting hole
SENORD-N-LED-218	12
SENORD-N-LED-236	16
SENORD-N-LED-258	20
SENORD-N-LED-418	16
SENORD-N-LED-436	20
SENORD-N-LED-458	24

Operation and maintenance instructions:

The light fittings, which operate in areas of above mentioned premises, are under the requirements resulting from compulsory regulations of valid EN:

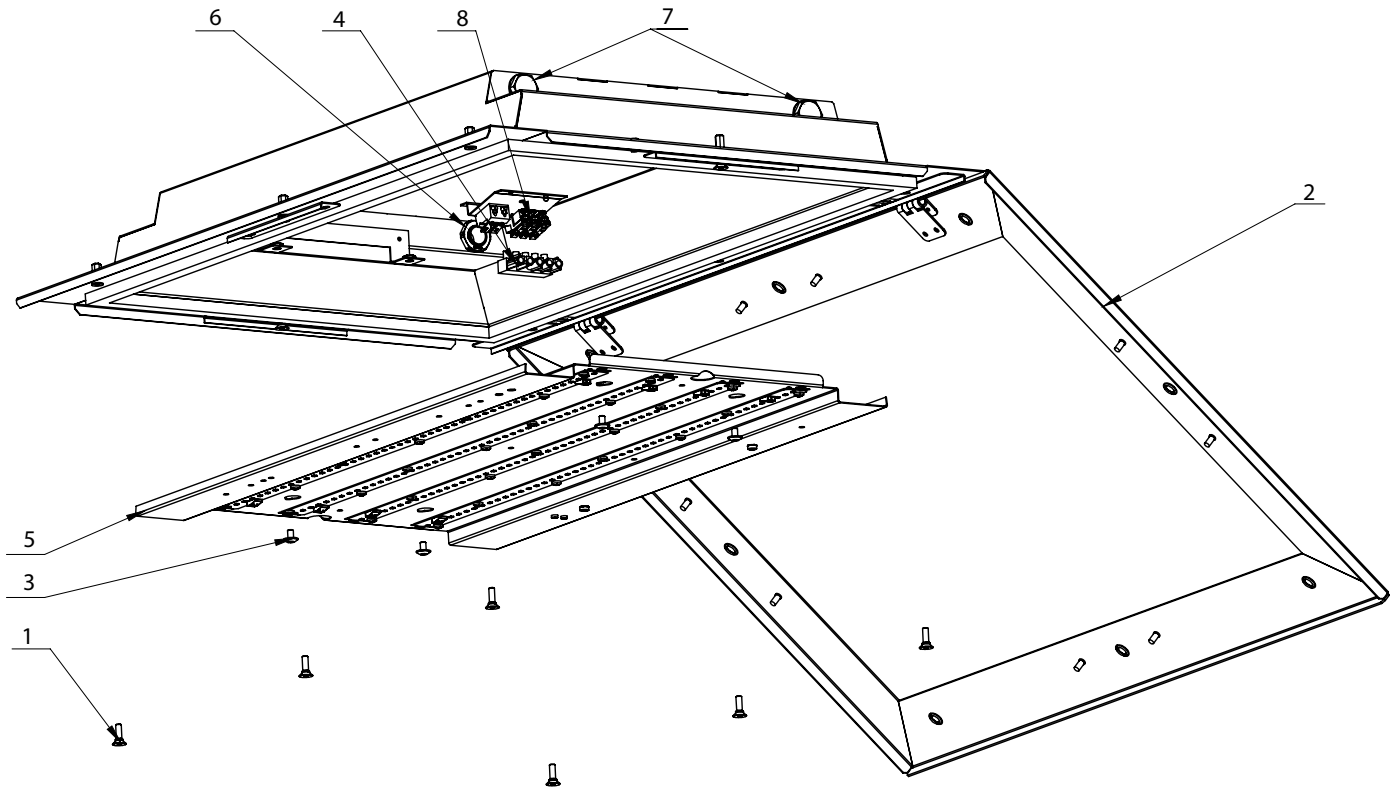
- The light fitting must not be open, if the terminal block is alive.
- Free outlets for supply cable must be sealed with plugs M20.
- Any change or replacements of components of the light fittings, which can influence the protection before the danger of explosion, are forbidden.
- The repair of the light fittings can be done only by person with relevant qualification, only with original spare parts and in compliance with the latest regulations.

The fixtures are certified by FTZÚ, AO 210, Ostrava – Radvanice:

1) Certificate of type FTZÚ 17 ATEX 0026X from date 25.04.2017

2) Supplement no.1 to certificate FTZÚ 17 ATEX 0026X date of issue 06.06.2017

2) Supplement no.2 to certificate FTZÚ 17 ATEX 0026X date of issue 29.04.2022

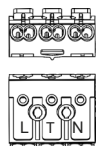
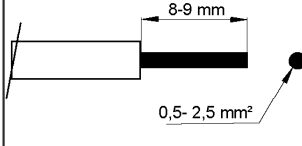


Mountig:

1. Take the fixture from transporting packing
2. Unbolt locking screws (1) on frame and hang frame (2).
3. Remove screws (3) fixed reflector and take reflector (5) out after terminal block (4) disconnection.
4. The side opening in the body plant the cable gland (6) (which is included in the luminaire equipment), and on the other side of her body screw the nut. Cable gland nut to the body, tighten torque 2,7Nm..
5. Pull the power cable through the cable gland. Tighten bushings to a state of partial deformation of the rubber sealing washers, tightening torque 2,5Nm. Supply cable must have an outer diameter in the range (see. Table sealing areas), which is a necessary condition for correct function of cable gland. Hole for power cable in the housing, which is not used cable gland (which is contained in the equipment luminaires), seal blanking plug. In the luminaire is not allowed to use respiratory protective plugs and cable glands breathing
Recommendation : Attend to correct stripping and supply cable connection.

6. Plug in the supply cable into the free part of the feeding terminal block (8) as follows:

SENORD-N-LED		SENORD-N-LED-Em		MULTISENORD-N-LED	
L	phase conductor	L1	cond. of charging phase	L1	cond. of charging phase
-	-	-	-	L2	cond. of switching phase
N	neutral conductor	N	neutral conductor	N	neutral conductor
T	protective conductor	T	protective conductor	T	protective conductor

* To each pole of terminal block can be connected two conductors in cut 0, 75 - 2, 5 mm2. In case of through-wiring connection it is necessary to use accessories for such connection!
In case that the label with the description of connection is glued on the reflector of luminaire, you must do connection according this description.

7. Install the fitting into the ceiling or wall by means of screws or rivets (through mounting hole Ø4,3mm). (care must be taken on a sufficiently rigid carrier substrate)
8. Connect terminal block and equip with reflector with four screws fixation. (with torque max. 0,5Nm)
9. Equip with the frame and fix all screws. (with torque 1Nm) (attention on protective conductor among body and frame)

Test of operation:

For correct operation it is necessary to observe enclosed instruction about testing of emergency fixtures. Switch the luminaire off the mains voltage. The emergency LED module must light. The green LED in the reflector is off. Should the emergency lamp be extinguished within the test period though the battery is fully charged, the latter will have to be replaced by a new battery set.

Warning: The full battery capacity will be available after approximately three charging/discharging cycles.

Battery change:**"Replace the battery in a non-explosive environment"**

Battery change is necessary when the fixture doesn't observe the conditions of rated operation period durability. In explosive area it is prohibited to disconnect battery for emergency unit. It is allowed to disconnect the fixture from supply voltage and take remove reflector from the fixture.

1. Disconnect the fixture from supply voltage.
2. Remove reflector from the housing.
3. Disconnect cable from terminal block.
4. Disconnect battery from emergency unit in non-explosive area as follows „-“black conductor and „+“red conductor.
5. Unbolt the nut of battery holder
6. Remove the old battery.
7. Screw the new battery (mark the date of operation start).
8. Connect conductors to battery as follows „+“red conductor and „-“black conductor.
9. Connect the fixture to supply voltage.
10. Equip with reflector and cover. Fix it with the clips.

WARNING: The battery in the fixture can be changed for the same type with same parameters only!!!

Table: List of cable glands:

Cable glands	Diameter of the cable for cable glands M25x1,5
OBO V-TEC Ex	Ø 7 mm - 12 mm
CEAG CHG 960 92.. P...	Ø 5,5 mm - 13 mm
WISKA ESKE/1 (S)(-L)(-*)(-RDE)	Ø 7 mm - 13 mm
ELFIT UNI	Ø 7 mm - 12 mm
BIMED LYRA (EURO-TOP)	Ø 7 mm - 12 mm

Maximum number of continuously connected luminaires for circuit breaker type B10A

NORD-N-LED MULTINORD-N-LED	
NORD-N-LED-X-218	30
NORD-N-LED-X-236	17
NORD-N-LED-X-258	8
NORD-N-LED-X-418	17
NORD-N-LED-X-436	5
NORD-N-LED-X-458	4

S

In case of any interventions on fixture lighting in premises with danger of explosion, the national safety rules and regulation for prevention of accidents are to be observed. Luminaires NORD-N-LED are LED dust proof and waterproof lighting fixtures designed for lightening premises with danger of explosions.

The light source and gasket in this lighting fixture can be replaced only producer or its contractual service technique or a similarly qualified person. When installing lighting fixture, observe the ESD safety using appropriate tools!

When the mounting instructions are not observed, the producer can't be responsible for incidental damages incurred.



The light source and gasket in this lighting fixture can be replaced only producer or its contractual service technique or a similarly qualified person. Any modification or replacement of components on the luminaire that affects the protection against dangerous explosions is prohibited. Repairs to luminaires may only be carried out by a suitably qualified person and only with original spare parts.

ATTENTION!!!

For wall installation of lighting fixture must be LED driver positioned facing downwards

WARNING – potential danger of electrostatic charging.

WARNING – the lighting fixture must be installed in the position, which does not allow the touch of persons and parts of the fixture.

WARNING – the lighting for fixed installation.

WARNING – the fixture should be cleaned with damp duster only. It is necessary to keep periodic cleaning intervals of lighting fixture

WARNING – do not open under voltage.

WARNING – replace protective cover



Producer included in recycling system provided by EKO-KOM Company (EK-F06070058).