

SEGREY-N ATEX 2-22

FTZÚ 20 ATEX 0093X

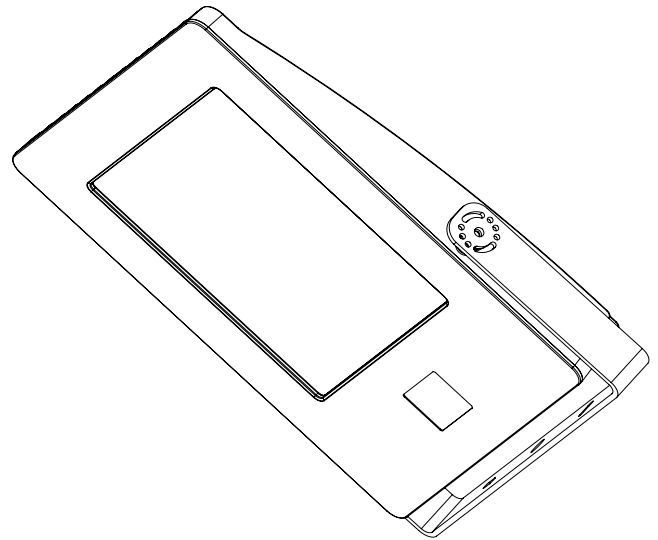
Ex II 3G Ex nR IIC T6 Gc

Ex II 3D Ex tc IIIC T85°C Dc

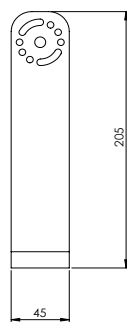
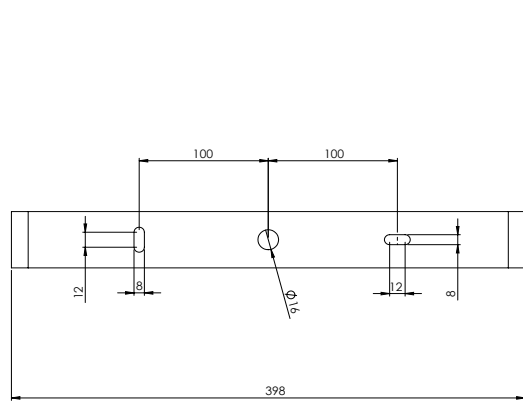
IP66, insulation class I

The explosion proof light fittings meet the standards according to the EU instructions 2014/34/EU. They can be used in areas with danger of explosion according to the following chart:

Area with danger of explosive	Marking of exterior ambient	Classification of area	
		Marking	Complusory regulation
Danger of explosion of inflammable dust	BE3N1	ZONE 22	ČSN EN 60079-14 ČSN EN 60079-10-2
Danger of explosion of inflammable gas and vapors	BE3N2	ZONE 2	ČSN EN 60079-14 ČSN EN 60079-10-1



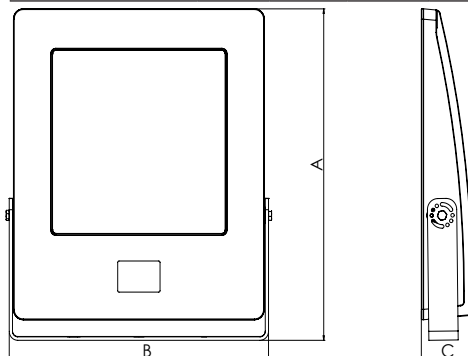
Mounting bracket dimensions:



Pic. 1

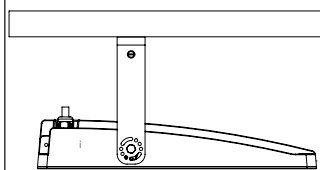
Lighting fixture dimensions:

Typ	Pic.	A(mm)	B (mm)	C (mm)
GREY-N-LED-X	2	480	400	80

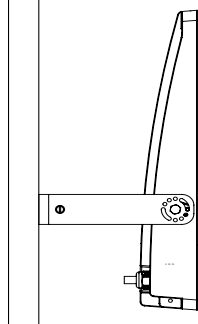


Pic. 2

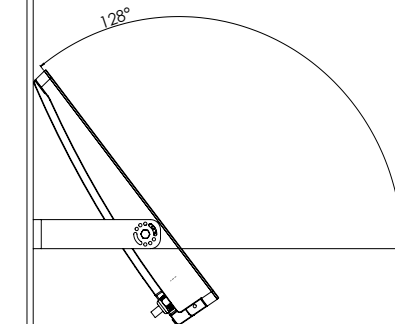
Ceiling installation:



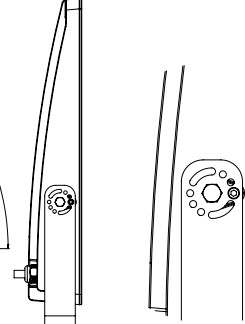
Wall installation:



Wall installation: max. tilt angle of the luminaire:



Holes for adjusting the position of bracket:



Securing with screw M5 with tightening torque 5Nm.

Pic. 3

Technical data:

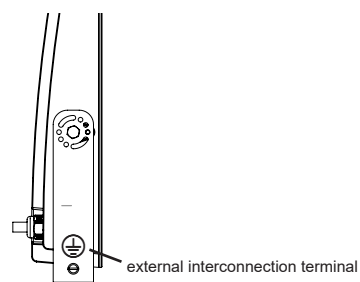
Permitted range of operating temperatures for 220-240V, 50/60Hz:

SEGREY-N-17000-4K	/103W/	-40 °C to +60 °C
SEGREY-N-18500/24500-4K	/113/164W/	-40 °C to +55 °C
SEGREY-N-21000-4K	/133W/	-40 °C to +50 °C
SEGREY-N-29500-4K	/222W/	-40 °C to +45 °C
SEGREY-N-18500/21000-T60-4K	/113/133W/	-40 °C to +60 °C

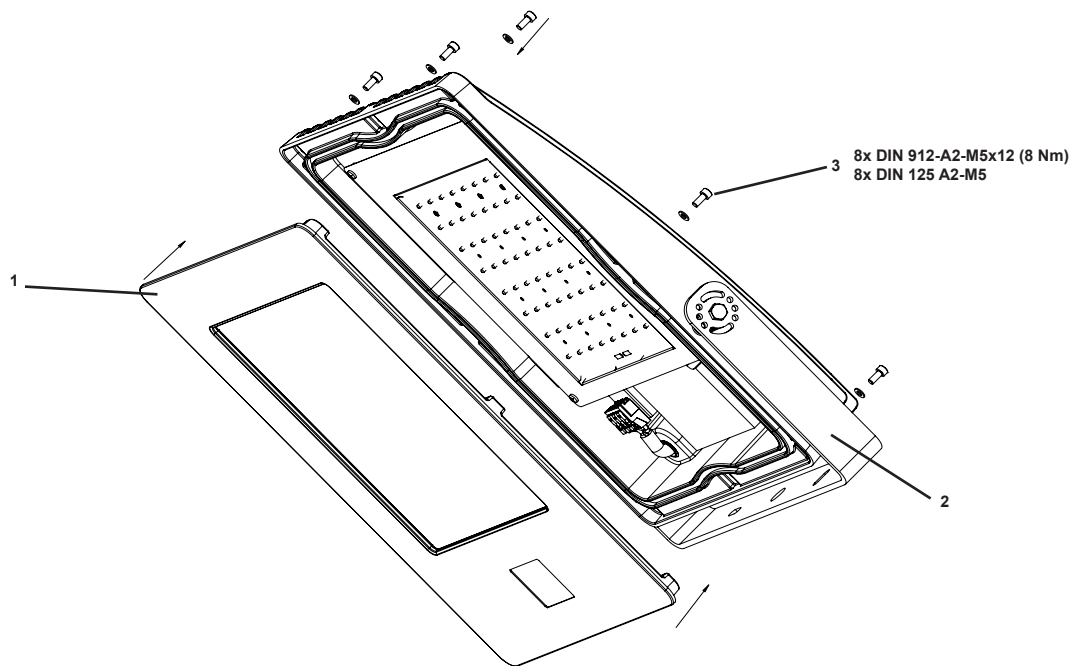
Nominal voltage and frequency:

Electronic ballast	220 - 240V, 50/60 Hz
HELVAR:	220 - 240V, 50/60 Hz
MEANWELL:	220 - 240V, 50/60 Hz

Lighting fixture for external interconnection:

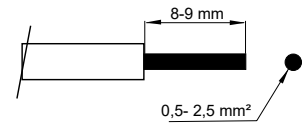
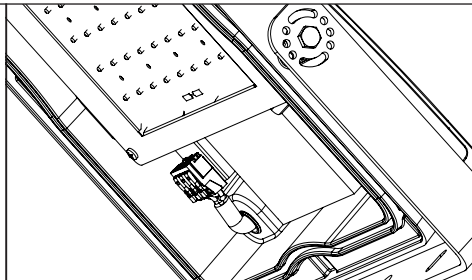
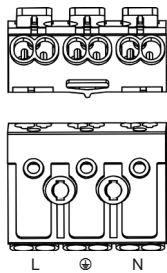


Pic. 4



Installation of lighting fixtures:

1. Prepare spans for the lighting fixture fastening according to the span of fixing holes, see figure 1 and prepare the lighting fixture bracket (2).
2. Loosen 8 pcs of M5 screws (3) and remove the front frame with glass (1).
3. Pull the supplying cable through the packing gland. Tighten the packing glands properly until the rubber sealing washer is partially deformed, tightening torque 2.5 Nm. The outer dimension of the lighting fixture incoming cable must be within the range according to the gland type – Table of Sealed Areas, which is the necessary condition for proper function of the packing gland.
4. Connect the supplying cable to the free part of incoming terminal strip as follows:



Clip	GREY-N-LED
L	phase conductor
N	neutral conductor
⊕	protective conductor

* The marking and connection of individual terminals may differ depending on the required lighting fixture equipment.

5. Put on the frame with glass and screw the M5 screws with tightening torque of 8 Nm.
6. The lighting fixture is provided with a terminal for external interconnection (Fig. 4).

Table sealing areas for different types of cable gland

Cable gland	Diameter of cable for the cable glands M20x1,5
OBO V-TEC Ex	∅ 7 mm - 12 mm
CEAG CHG 960 92.. P...	∅ 5,5 mm - 13 mm
WISKA ESKE/1 (S)(-L)(-+)(-RDE)	∅ 7 mm - 13 mm
ELFIT UNI	∅ 7 mm - 12 mm
BIMED LYRA (EURO-TOP)	∅ 7 mm - 12 mm

In case of any interventions on fixture lighting in premises with danger of explosion, the national safety rules and regulation for prevention of accidents are to be observed.



The light source and gasket in this lighting fixture can be replaced only producer or its contractual service technique or a similarly qualified person.
When installing lighting fixture, observe the ESD safety using appropriate tools!
When the mounting instructions are not observed, the producer can't be responsible for incidental damages incurred.

The light source and gasket in this lighting fixture can be replaced only producer or its contractual service technique or a similarly qualified person.
Any modification or replacement of components on the luminaire that affects the protection against dangerous explosions is prohibited.
Repairs to luminaires may only be carried out by a suitably qualified person and only with original spare parts.



ATTENTION!!!

For wall installation of lighting fixture must be LED driver positioned facing downwards

WARNING – potential danger of electrostatic charging.

WARNING – the lighting fixture must be installed in the position, which does not allow the touch of persons and parts of the fixture.

WARNING – the lighting for fixed installation.

WARNING – the fixture should be cleaned with damp duster only. It is necessary to keep periodic cleaning intervals of lighting fixture

WARNING – do not open under voltage.

WARNING – replace protective cover



Producer included in recycling system provided by EKO-KOM Company (EK-F06070058).