




# SEQUEST 2 LED HB

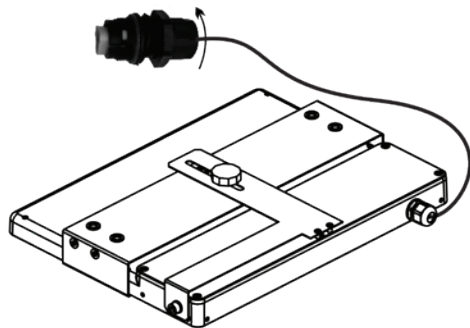
LED | IP66 | IK09 | 220-240 V  
50-60 Hz |  |  | CE | 

1

**POWER OFF**



2

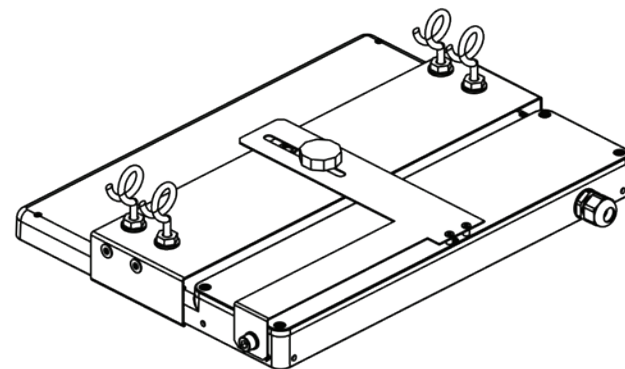


+  
ACCESSORY

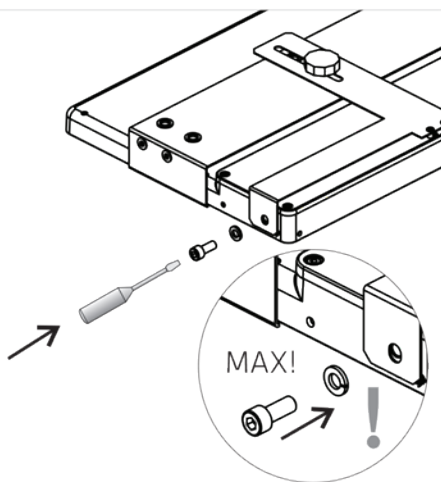


SUSPENSION  
SET

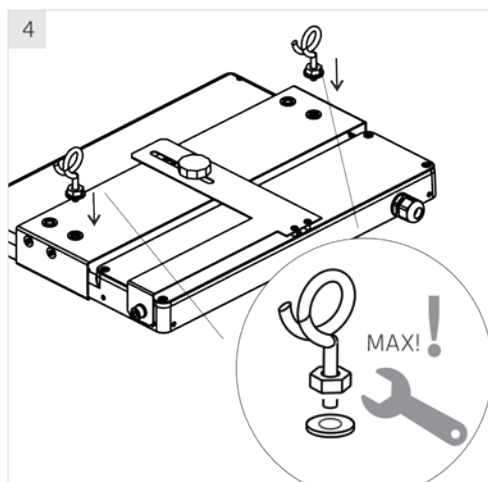
=



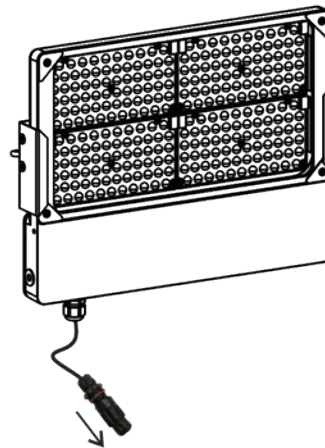
3



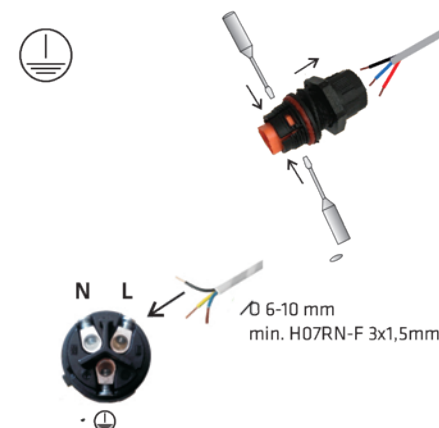
4



5

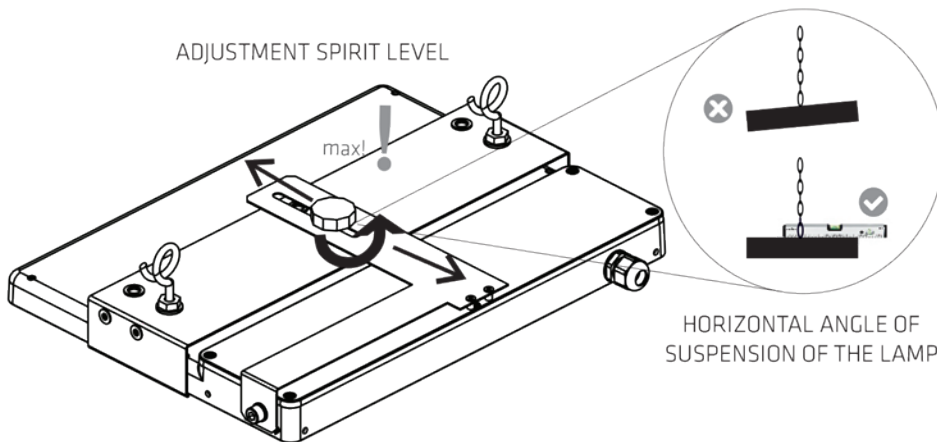


6



4

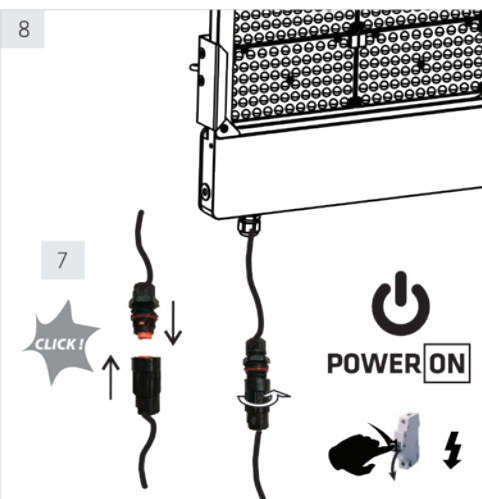
ADJUSTMENT SPIRIT LEVEL



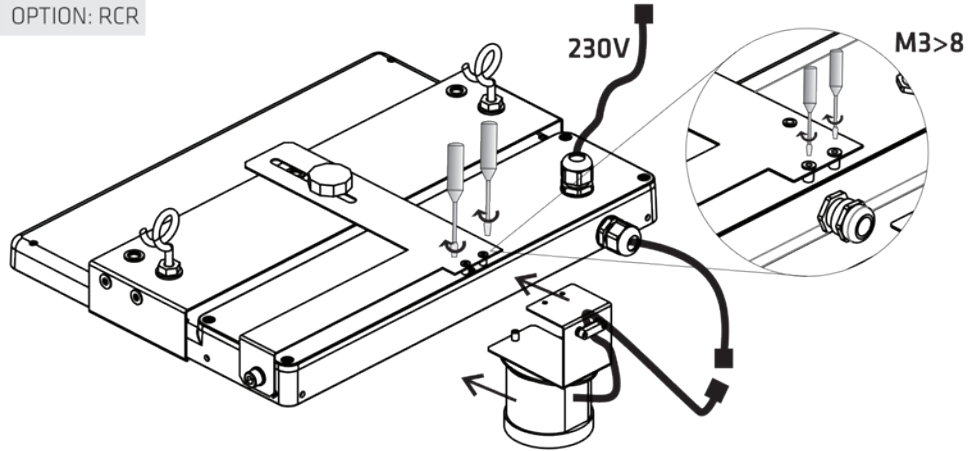
7



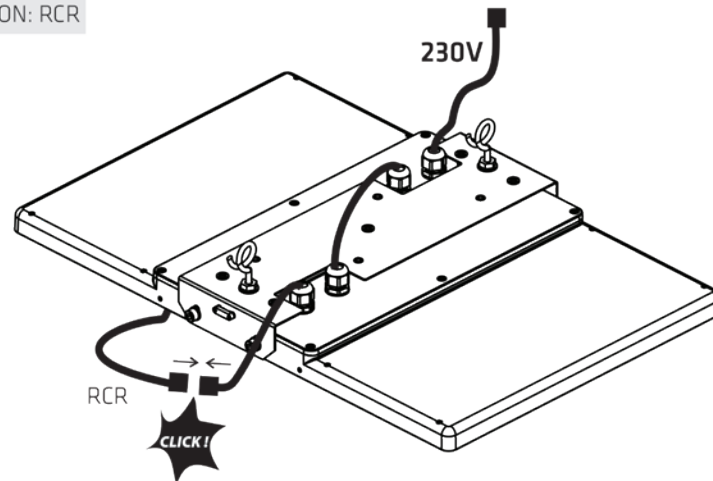
8



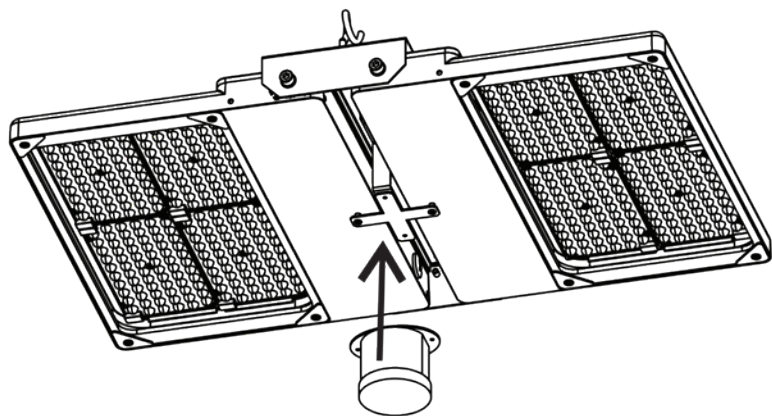
9 OPTION: RCR



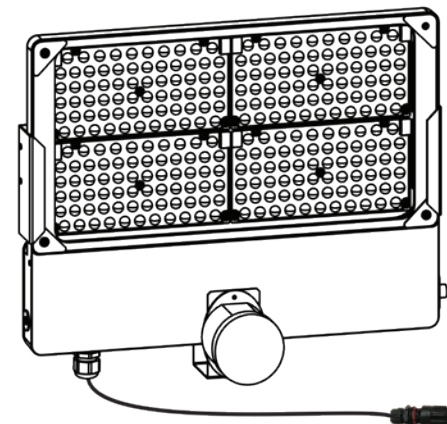
12 OPTION: RCR



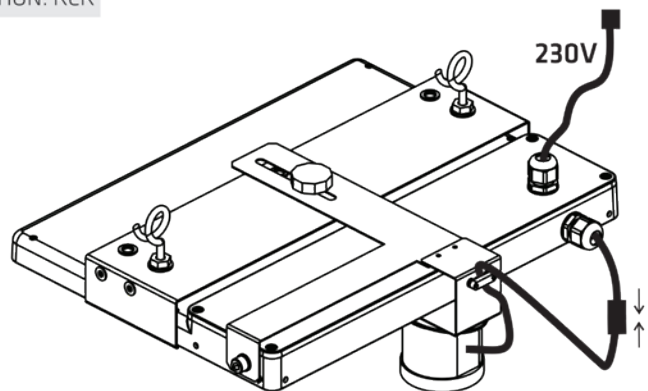
10 OPTION: RCR



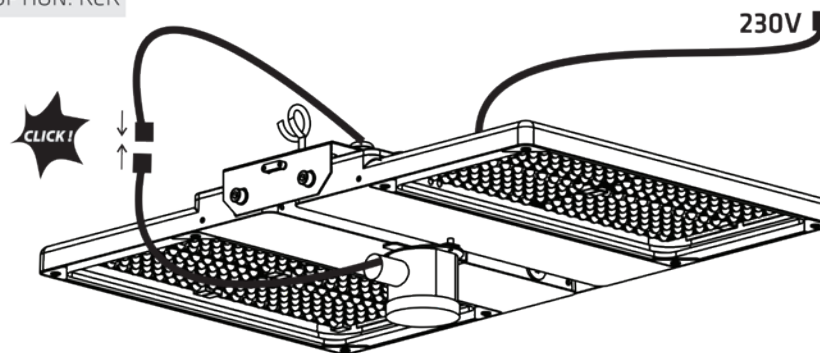
13 OPTION: RCR

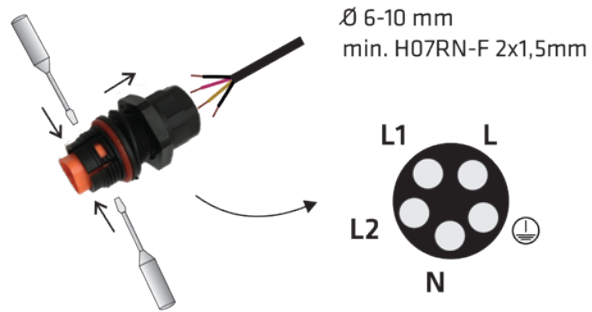


11 OPTION: RCR



14 OPTION: RCR



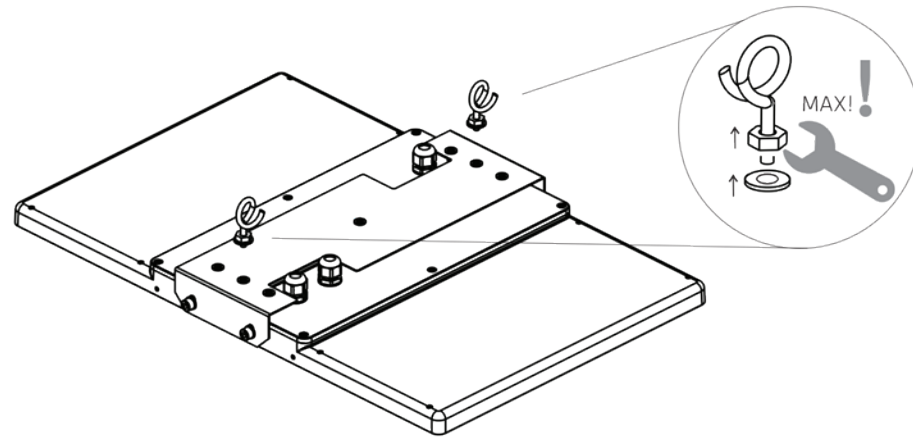
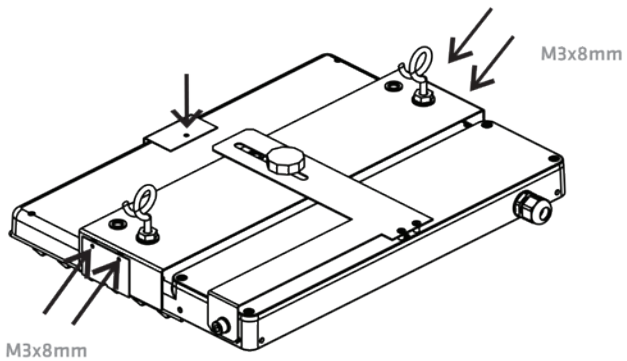
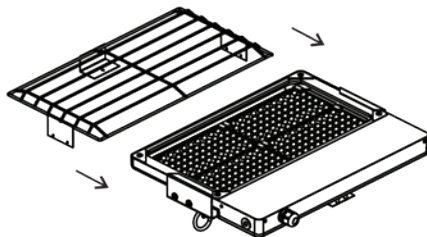


- L1 - (DA)
- L2 - (DA)
- L - L
- N - N
- ⊖ - ⊖



ACCESSORY - PROTECTIVE NET 1

version 144W - INDEX: 559945  
version 96W - INDEX: 559952

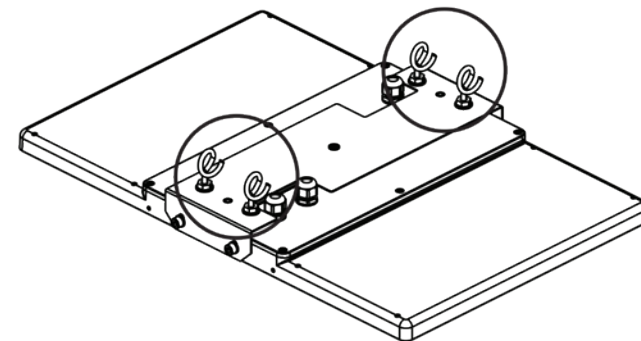


DOUBLE SUSPENSION

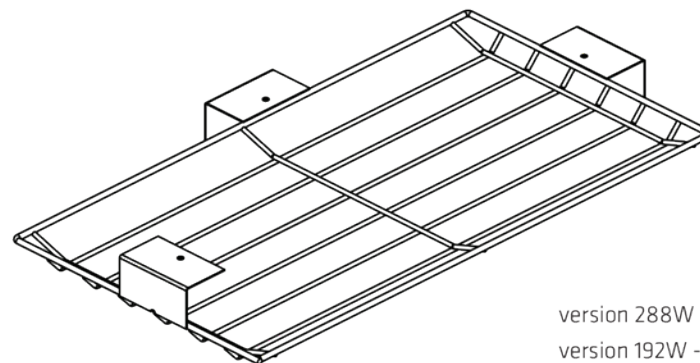
+ ACCESSORY



SUSPENSION SET  
index: 000000

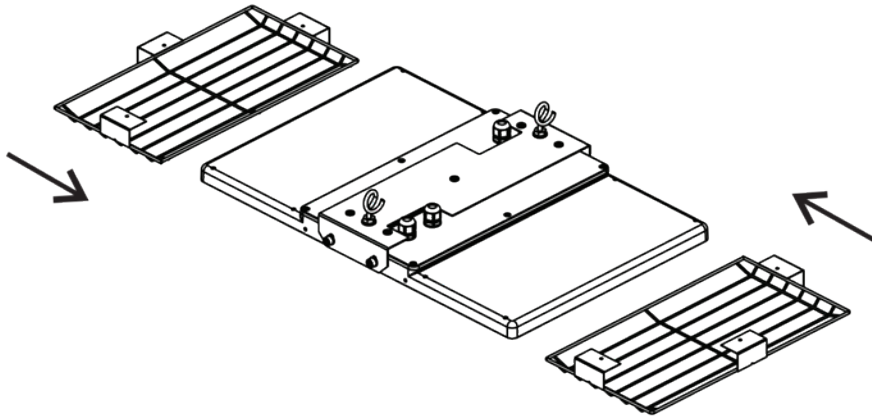


ACCESSORY - PROTECTIVE NET

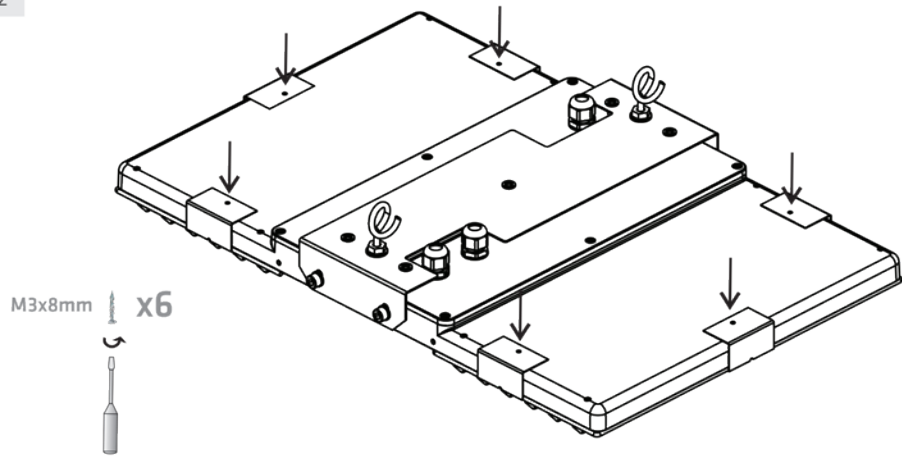


version 288W - INDEX: 559914  
version 192W - INDEX: 559907

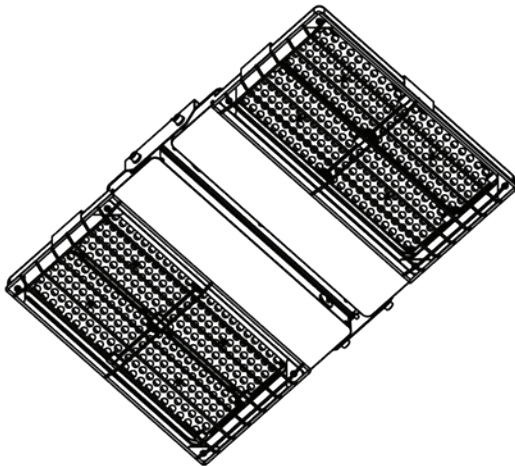
1

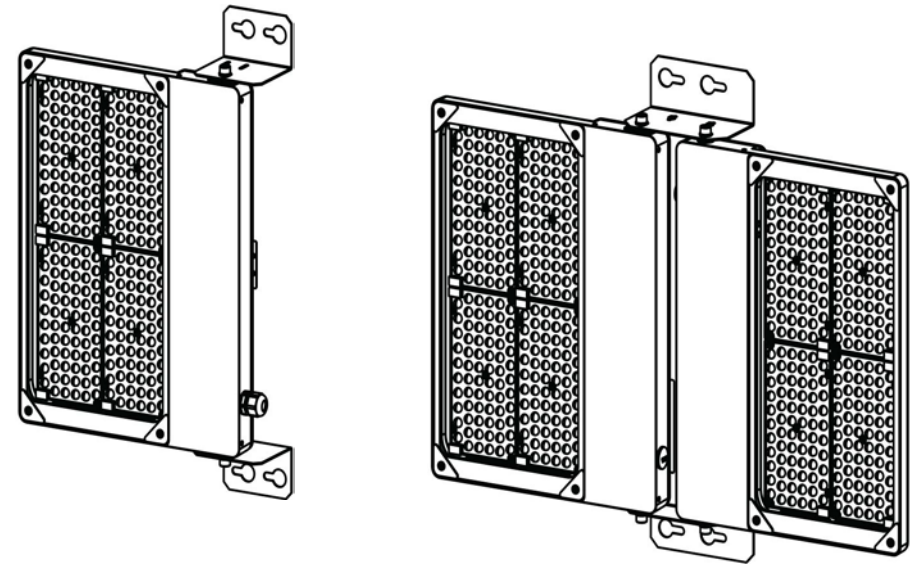


2






3



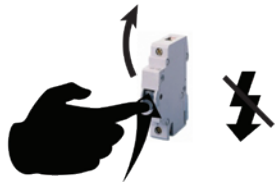


# SEQUEST 2 LED HB NT

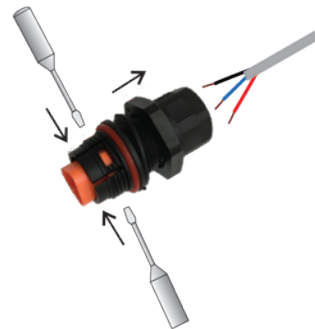
LED | IP65 | IK09 | 220-240 V  
50-60 Hz |  |  | 

1

  
**POWER OFF**

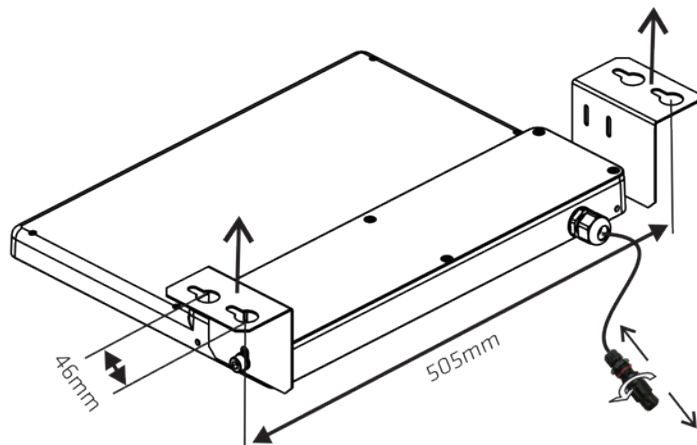


3

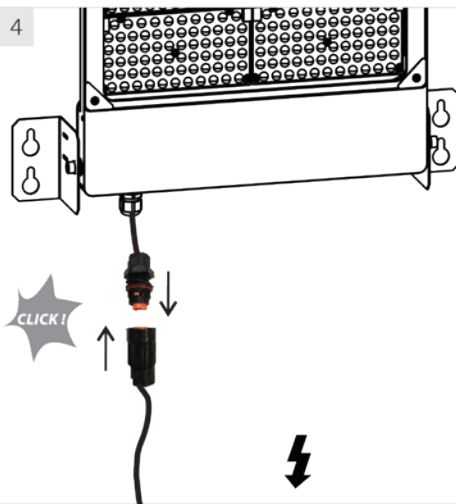


∅ 6-10 mm  
min. H07RN-F 3x1,5mm

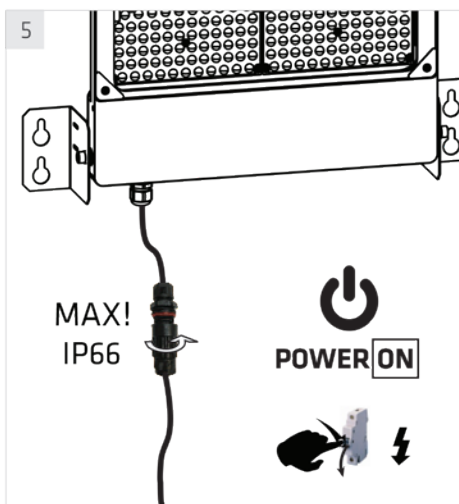
2A



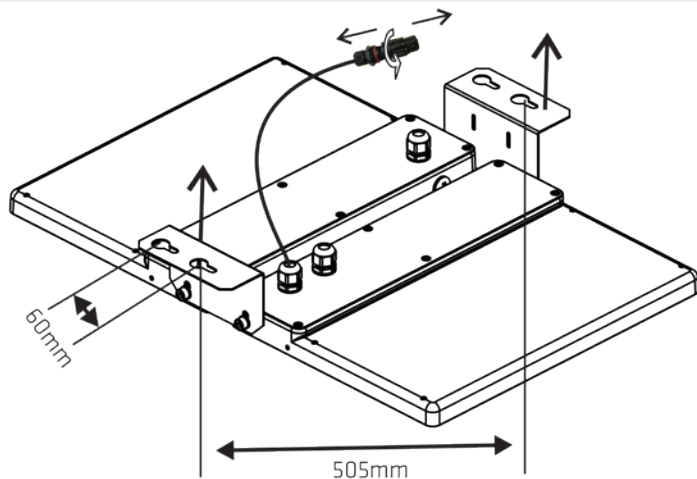
4



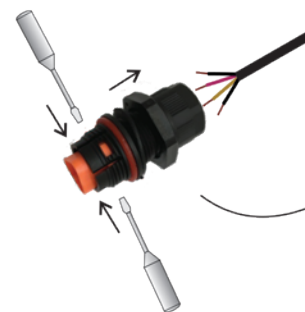
5



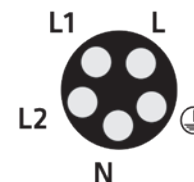
2B





DALI 6

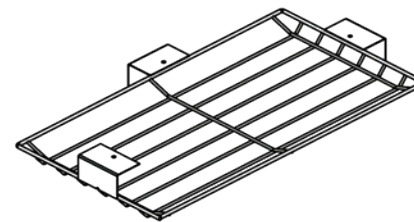
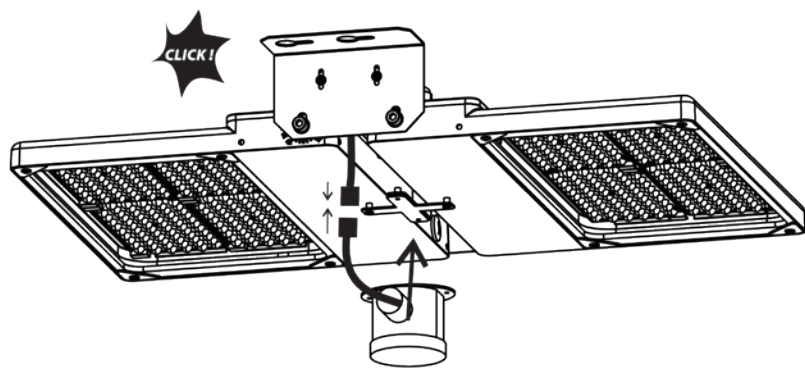
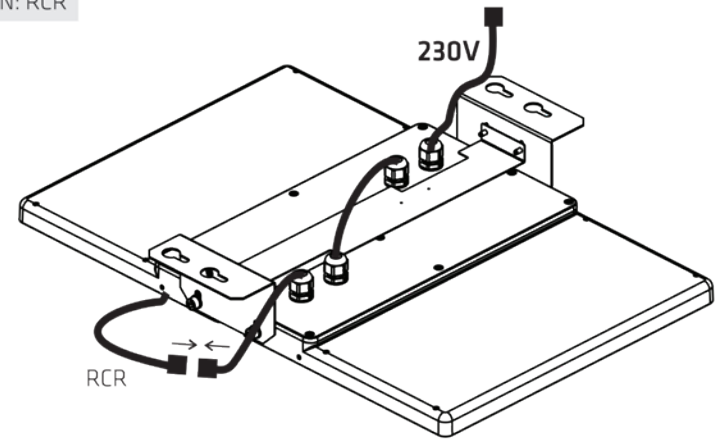
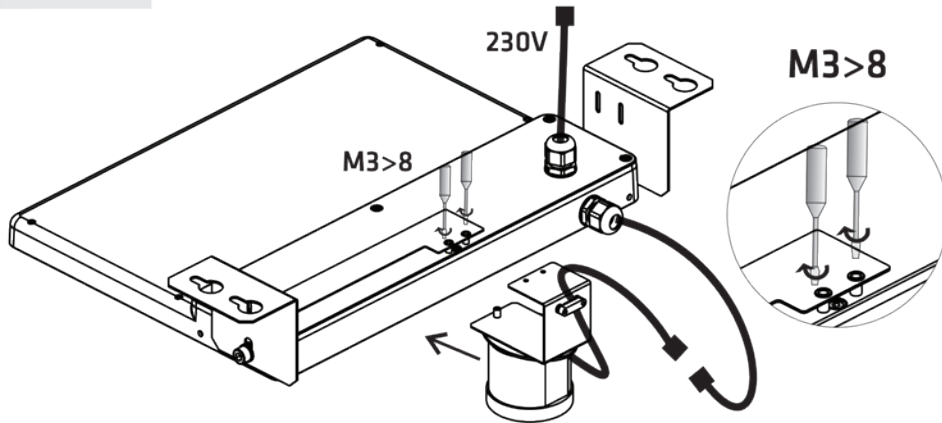
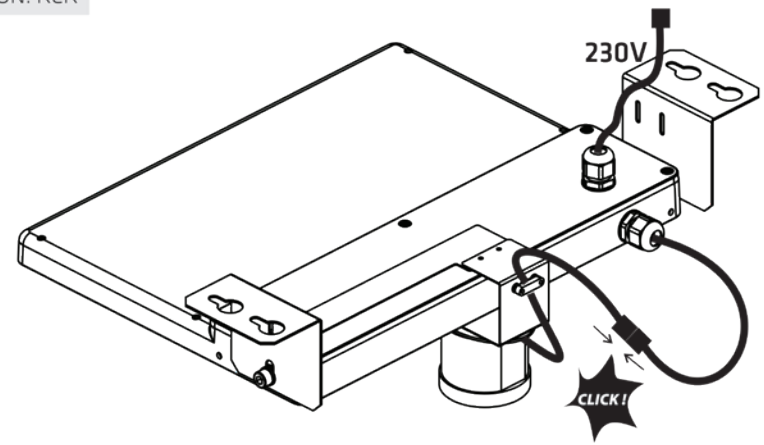


∅ 6-10 mm  
min. H07RN-F 2x1,5mm

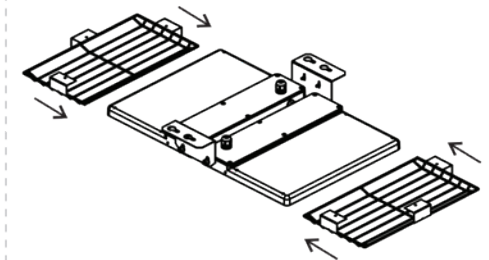


L1 - (DA)  
L2 - (DA)  
L - L  
N - N  
 - 

3

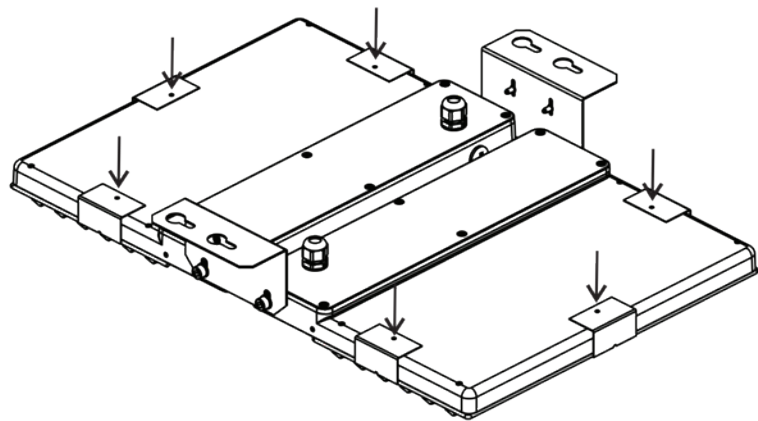


version 288W - INDEX: 559914  
 version 192W - INDEX: 559907





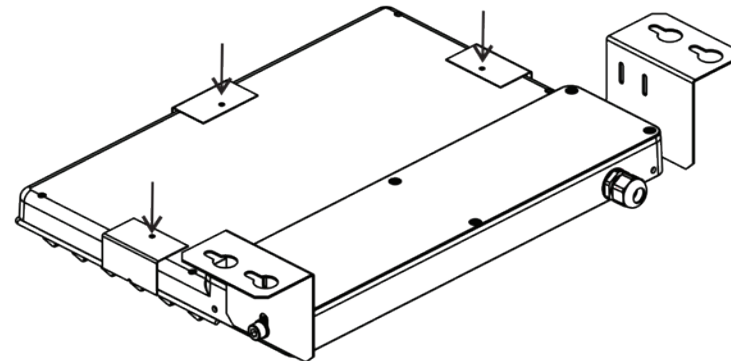
2



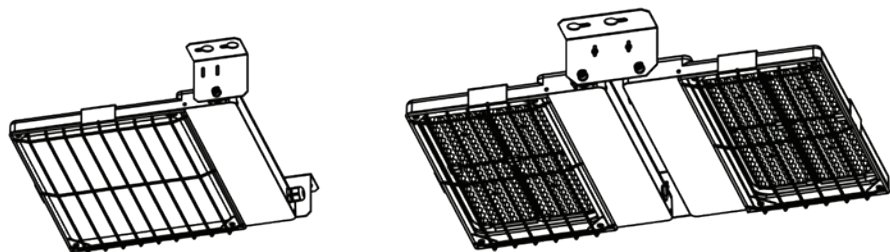
M3x8mm x6



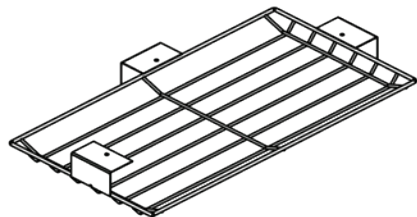
2



M3x8mm x3



ACCESSORY - PROTECTIVE NET



version 144W - INDEX: 559914  
 version 96W - INDEX: 559907

1

